



SJ6826/32 RT

ROUGH TERRAIN SCISSORS

STANDARD FEATURES

- Drivable at full height with roll out deck fully extended
- Crossover symmetrical 4WD
- Multiple wet disc spring applied hydraulic release brakes
- 1.52 m Roll out extension deck
- 24hp Kubota Diesel engine
- 90° Swing out engine tray
- Relay-based control system
- SKYCODED™ Colour coded and numbered wiring system
- Up to 50% Gradeability
- Foam-filled grip lug tyres
- Wiring for AC outlet on platform
- Tilt alarm with drive & lift cut-out
- Overload sensing system
- Lowering warning system
- Operator horn
- Hinged railing system
- Full height spring hinged gate at rear of unit
- Lanyard attachment point
- Scissor guards
- Forklift pockets and tie down/lift lugs
- Independent/auto leveling outriggers

ACCESSORIES AND OPTIONS

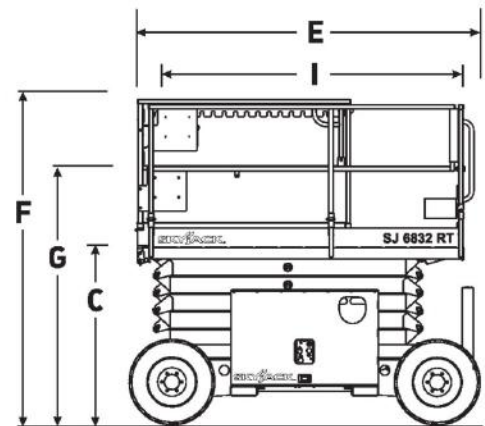
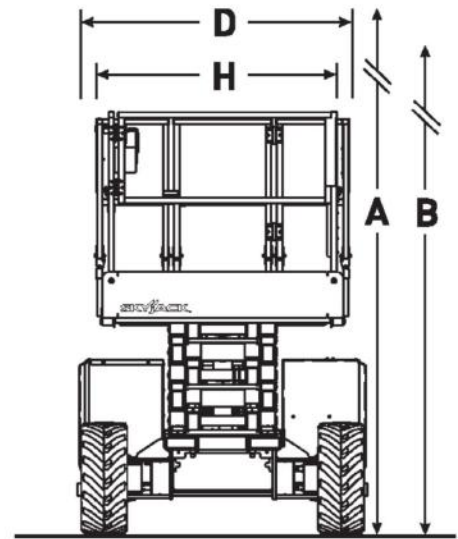
- Diesel engine with scrubber
- Flashing light
- Shroud-style control box guard
- 2.0kW Hydraulic generator
- Foam-filled grip lug non-marking tyres
- All motion audible alarm
- Secondary Guarding Lift Enable (SGLE)
- ELEVATE telematics

† Standard lead times may be increased when optional equipment is added, consult factory.

‡ Capacities, and machine weights may differ when options are added.

SJ6826/32 RT ROUGH TERRAIN SCISSORS

| Dimensions | SJ6826 RT | SJ6832 RT |
|---|-------------|-----------------------------|
| A Work Height | 9.92 m | 11.75 m |
| B Raised Platform Height | 7.92 m | 9.75 m |
| C Lowered Platform Height | 1.23 m | 1.37 m |
| D Overall Width | 1.76 m | 1.76 m |
| E Overall Length | 3.35 m | 3.35 m |
| F Stowed Height (Rails Up) | 2.37 m | 2.51 m |
| G Stowed Height (Rails Down) | 1.61 m | 1.75 m |
| H Platform Width (Inside Dimension) | 1.42 m | 1.42 m |
| I Platform Length (Inside Dimension) | 2.44 m | 2.44 m |
| Specifications | SJ6826 RT | SJ6832 RT |
| Extension Deck | 1.52 m | 1.52 m |
| Ground Clearance | 0.20 m | 0.20 m |
| Wheelbase | 2.04 m | 2.04 m |
| Weight | 3,500 kg | 3,781 kg |
| Gradeability | 50% | 40% |
| Turning Radius (Inside) | 1.52 m | 1.52 m |
| Turning Radius (Outside) | 3.96 m | 3.96 m |
| Lift Time (With Rated Load) | 36 sec | 39 sec |
| Lower time (With Rated Load) | 36 sec | 36 sec |
| Drive Speed (Stowed) | 6.1 km/h | 6.1 km/h |
| Drive Speed (Raised) | 0.6 km/h | 0.6 km/h |
| Maximum Drive Height | Full Height | Full Height |
| Capacity (Overall) | 567 kg | 454 kg |
| Distributed Capacity (Main Platform) | 431 kg | 318 kg |
| Distributed Capacity (Extension Deck) | 136 kg | 136 kg |
| Local Floor Load (With Rated Load) | 1206 kPa | 1248 kPa |
| Overall Floor Load (With Rated Load) | 13 kPa | 14 kPa |
| Maximum # of Persons (indoor/outdoor) | 4/4 | 4/4 (to 7.92m) 2 (to 9.75m) |
| Tyre Type | Foam Filled | Foam Filled |
| Tyre Size | 26 x 12 | 26 x 12 |



Skyjack UK
Unit 1, Maes-y-Clawdd
Maesbury Road Industrial Estate
Oswestry, Shropshire, SY10 8NN
Tel: +44 1691 676235
Fax: +44 1691 676239
Email: info@skyjackeurope.co.uk

Skyjack SAS (France)
74 Rue Sibert
F-42400 Saint Chamond
France
Tel: +33 (0) 4 78 73 53 32
Tel: +33 (0) 4 78 73 05 68
Fax: +33 (0) 4 78 56 52 42

Skyjack Hebebühnen GmbH (Germany)
Därmannsbusch 2a
D-58456 Witten
Tel: +49 (0) 2302 20 26 909
Fax: +49 (0) 2302 20 25 671

Skyjack AB (Sweden)
Agnesbergsvägen 28
424 38 Agnesberg
Sweden
Tel: +46 (0) 31 21 22 45
Fax: +46 (0) 31 787 65 10

www.skyjack.com

This brochure is for illustrative purpose only and based on the latest information at the time of printing. Skyjack Inc. reserves the right to make changes at any time, without notice, to specifications, standard and optional equipment. Consult the Operating Maintenance and Parts Manuals for proper procedures. CE marked work platforms are in conformance to Machinery Directive 2006/42/EC.